



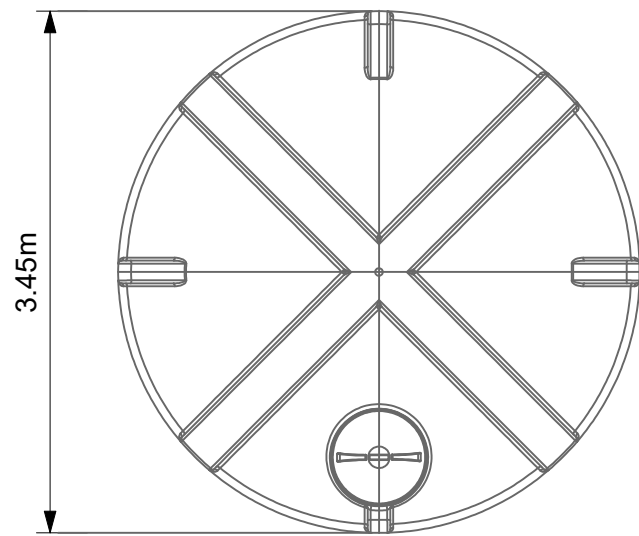
**HELIOS** RENEWABLE  
ENERGY  
PROJECT

**PINS Document Number:**  
EN010140/APP/6.2.4.4

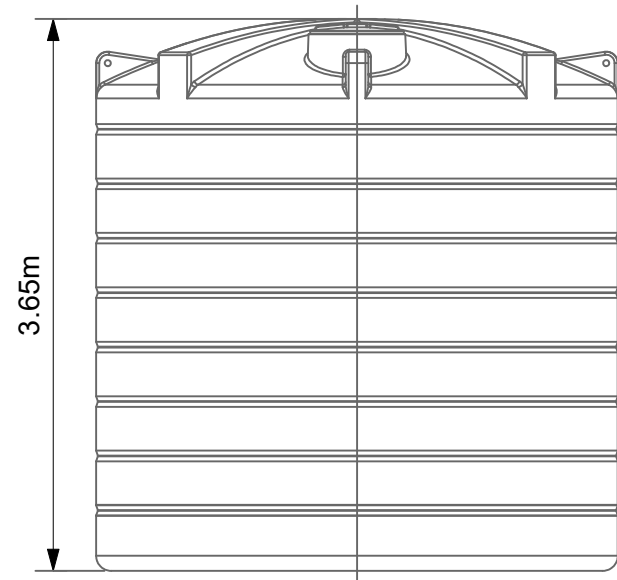
**Pursuant to:**  
APFP Regulation 5(2)(a)

## **Environmental Statement Figure 4.4: Water Tank Elevations**

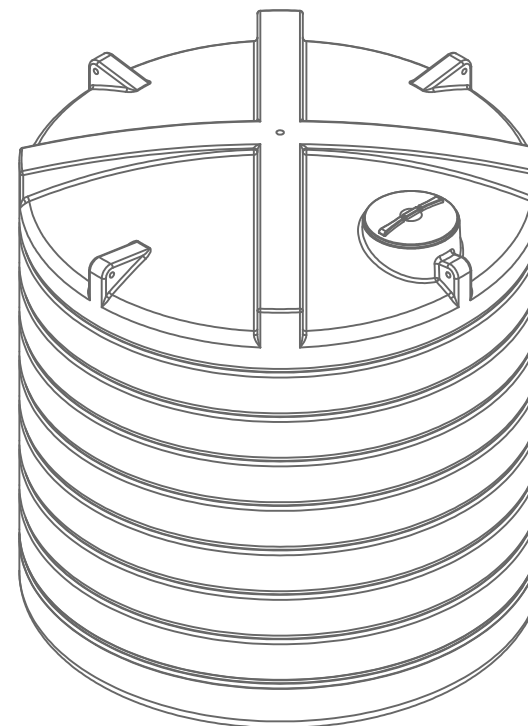
June 2024



Plan View



Side View



ISO View

Revisions:  
First Issue- 26/01/2024 JS

GENERAL NOTES:

- 1) ALL DIMENSIONS ARE IN METERS UNLESS SPECIFIED.
- 2) CONTAINERS TO BE PAINTED RAL6005



ALL DIMENSIONS TO BE CHECKED ON SITE WORK TO FIGURED DIMENSIONS ONLY REPORT DISCREPANCIES TO THE GFP AT ONCE BEFORE PROCEEDING COPYRIGHT ACT APPLIES.

© Enso Energy Ltd. Crown Copyright. All rights reserved. © 2024  
Emapsite license number 0100031673



Enso Energy Limited, Unit 1 & 2 Cirencester Office Park,  
Telbury Road, Cirencester, GL7 6JJ  
Tel: 01452 764685 Email: enquiries@ensoenergy.co.uk

Project Title:

**Helios Renewable Energy Project**

Drawing Title:

**Figure 4.4  
Water Tank Elevations**

DRWG No: DX-01-P63	Rev: -	Sht no: -
Drawn by : JS	Checked by: KL	
Scale: 1:50 @ A3	Date: 26/01/2024	